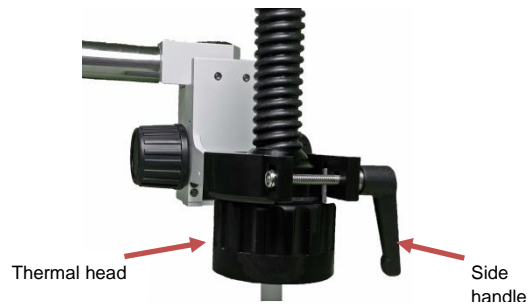
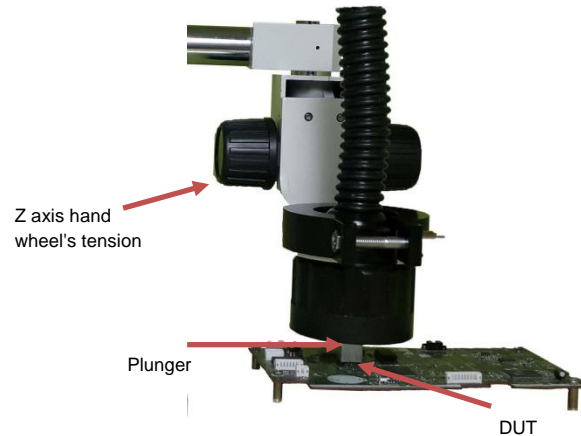


- Hold the black sleeve in place with the thermal head and tighten the side handle.



#### Fine tuning Z-Axis

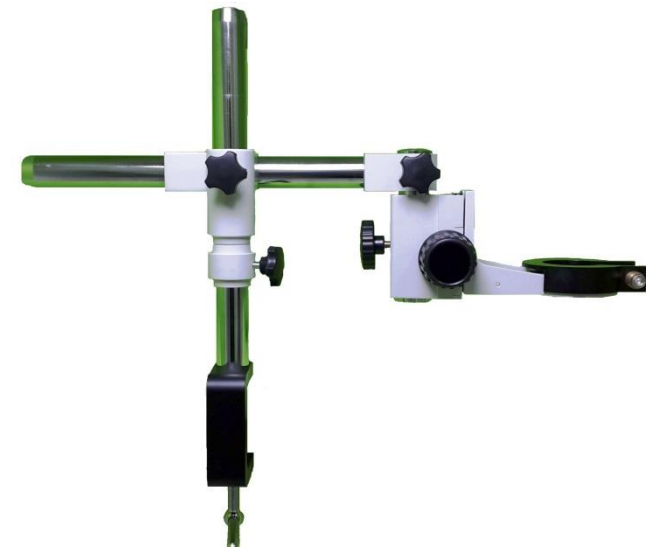
- Rotate the Z axis **hand wheel's tension** to fine tune the plunger contact with the device.



- Slide the **horizontal pillar** with cross block into the vertical post.

# Microscope Clamp Boom-Stand

## HOW TO ASSEMBLE BOOM STAND – MDHA485 TUTORIAL



[www.mechanical-devices.com](http://www.mechanical-devices.com)

## Package layout

- The Boom Stand is packed with parts laid out as shown in figure 1.

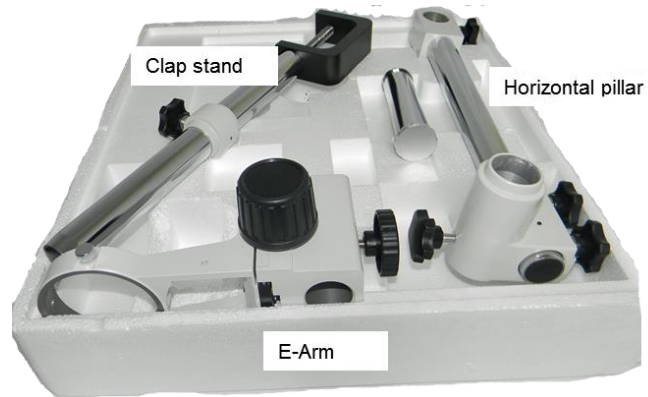
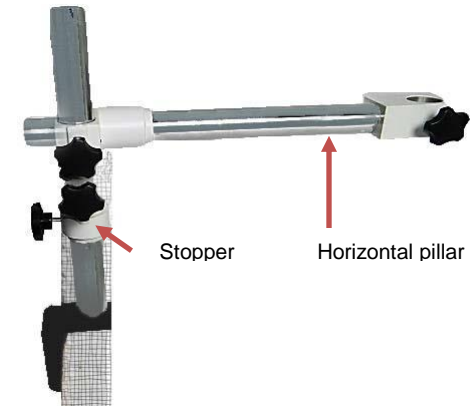
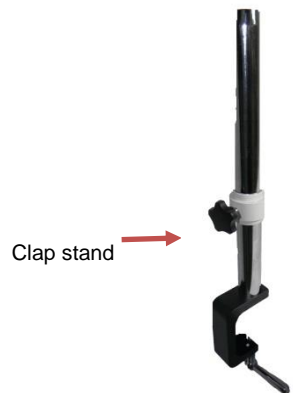


Fig. 1

## Assembly

- Place the **clap stand** at the side of the table and screw the cap tightly.



- Insert the e-arm into the end of the horizontal bar and tighten using lock wheel
- E-arm can be inserted from the TOP, or BOTTOM of the horizontal bar. Set e-arm up at various angles and tighten the lock lever for perfect oblique viewing.

