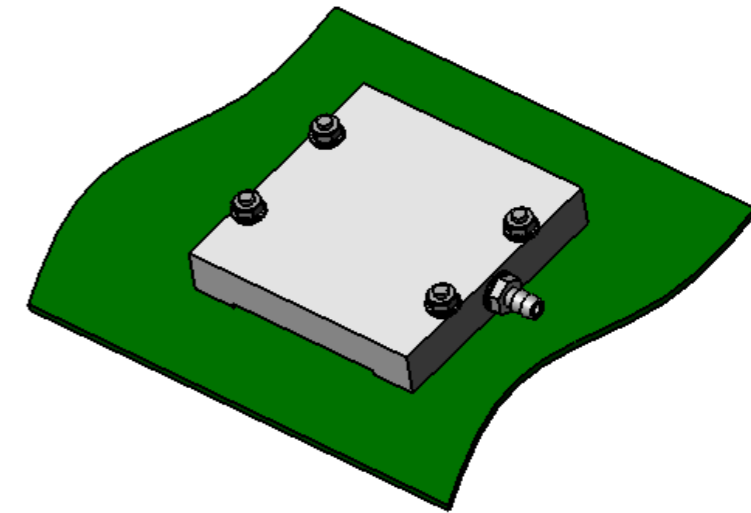
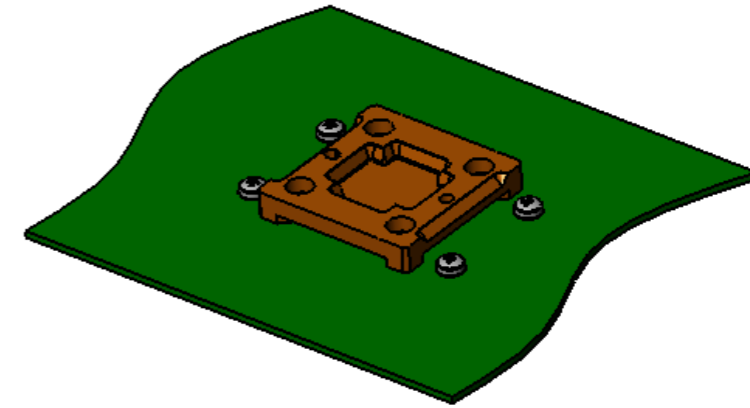
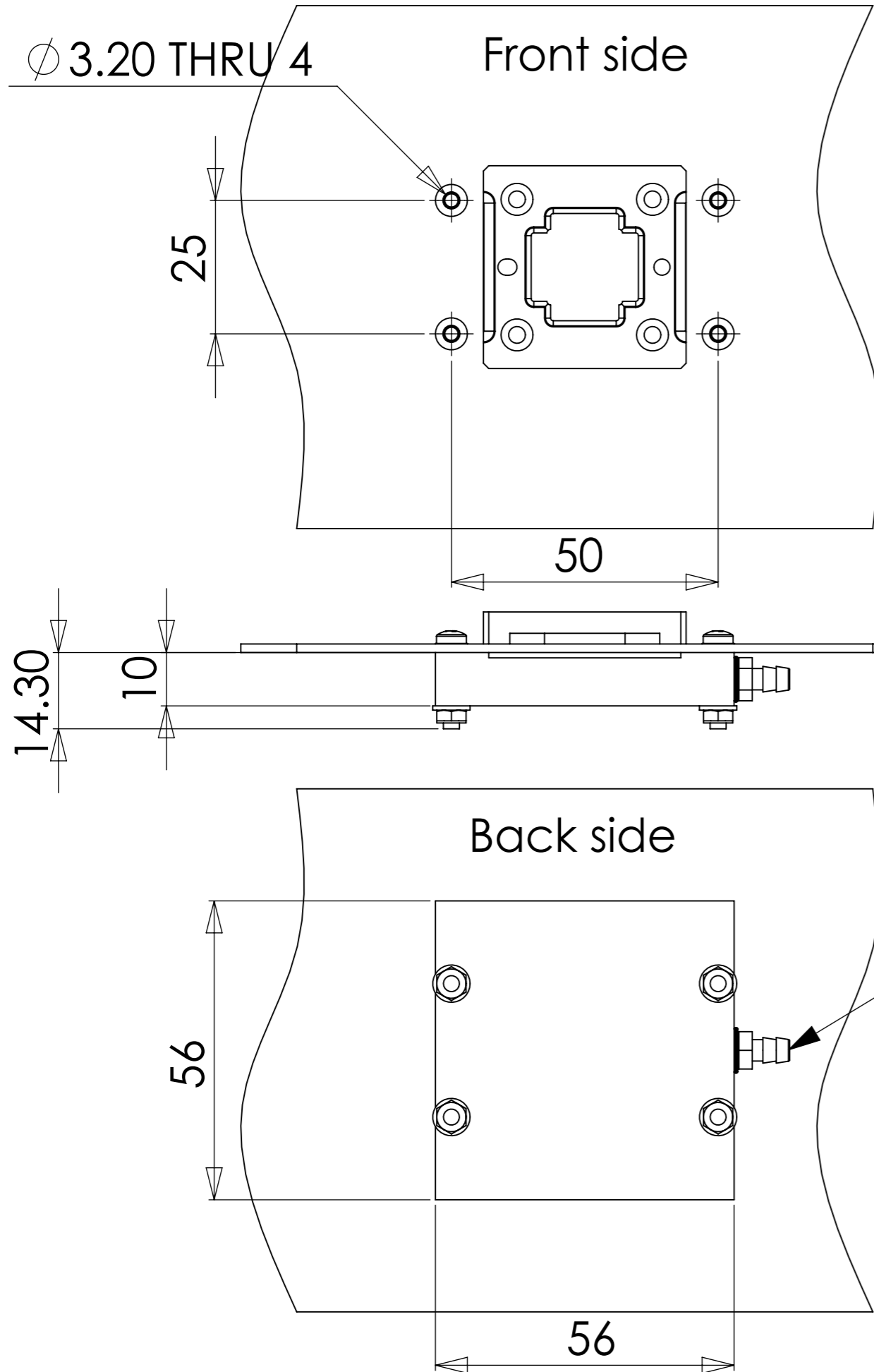


DESCRIPTION	APPROVED	DATE	REV.	CHANGE ORD
DESCRIPTION	APPROVED	DATE	REV.	ECO-NO
DESCRIPTION	APPROVED	DATE	REV.	ECO-NO



Purge inlet

MATERIAL:		DIMENSIONS IN: mm		PROJECT NAME:	ASSEMBLY NAME:
DESIGNED:	NAME Eyal S.	DATE 22/03/2012	FINISH: See Notes	Flex TC	ASSEMBLY No:
DRAWN:		DATE 22/03/2012		FRAME SCALE 1:1	DWG. SIZE A3
CHECKER:	CHECKED	DATE	TOLERANCE UNLESS OTHERWISE SPECIFIED:		
APPROVED:	APPROVED	DATE	0-150 ±0.1	SHEET 1 OF 1	REV.
Copyright by Mechanical Devices. All rights reserved. This drawing contains confidential & proprietary information which the authorised recipient agrees to protect & not to disclose			150-400 ±0.2		
			±0.5°		
MECHANICAL DEVICES			PROCESS TYPE:		
			PART TYPE:		