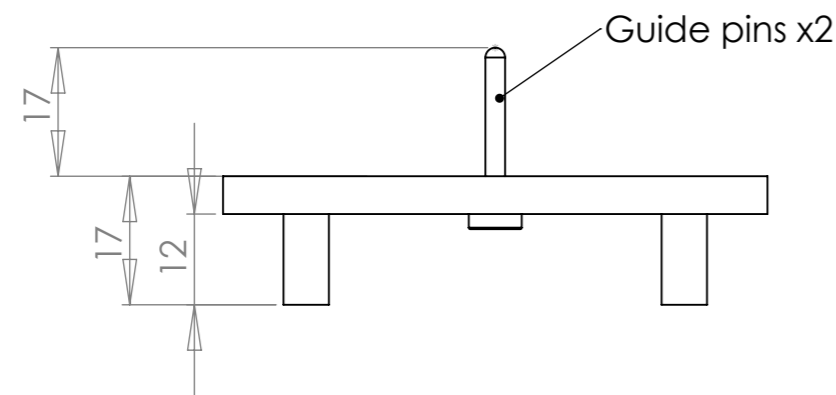
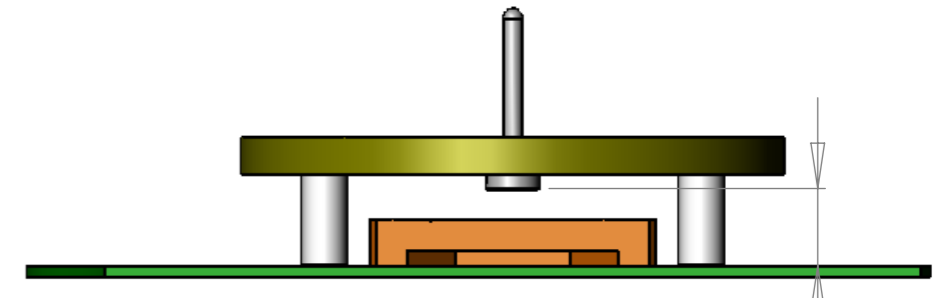
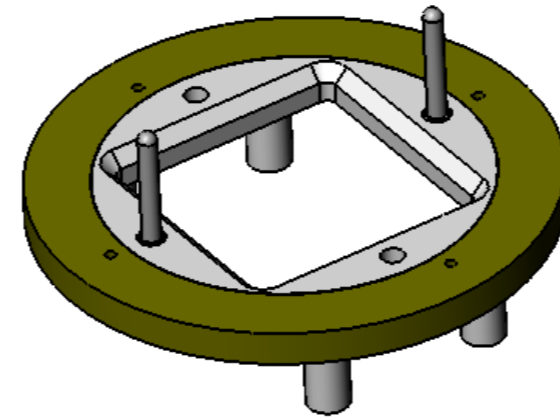
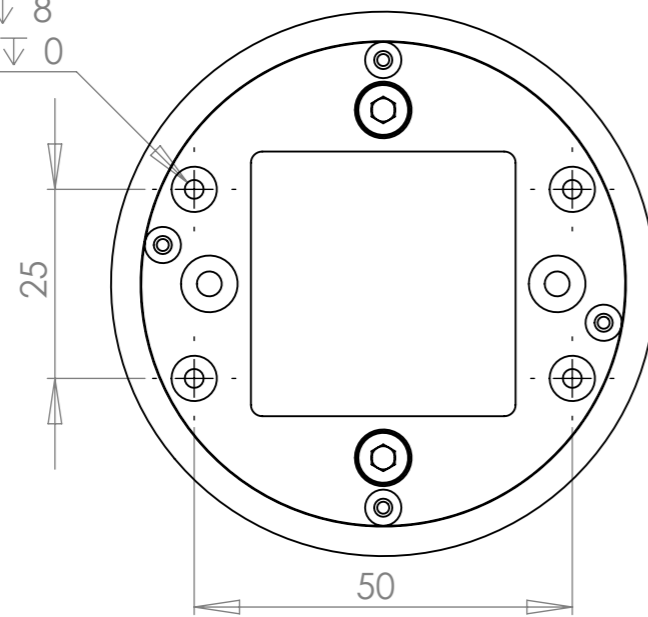
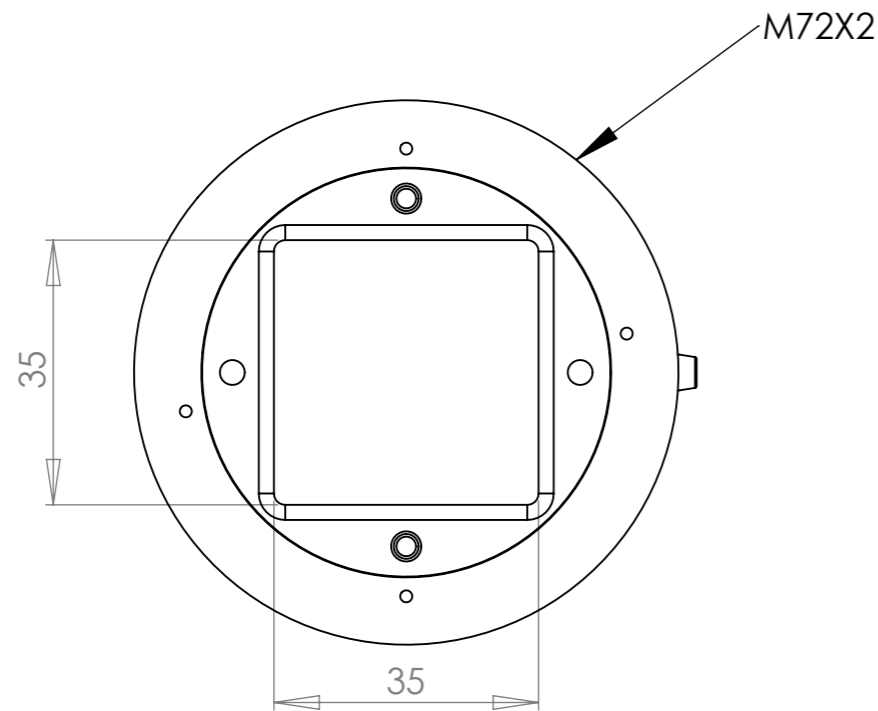


DESCRIPTION	APPROVED	DATE	REV.	CHANGE ORD
DESCRIPTION	APPROVED	DATE	REV.	ECO-NO
DESCRIPTION	APPROVED	DATE	REV.	ECO-NO

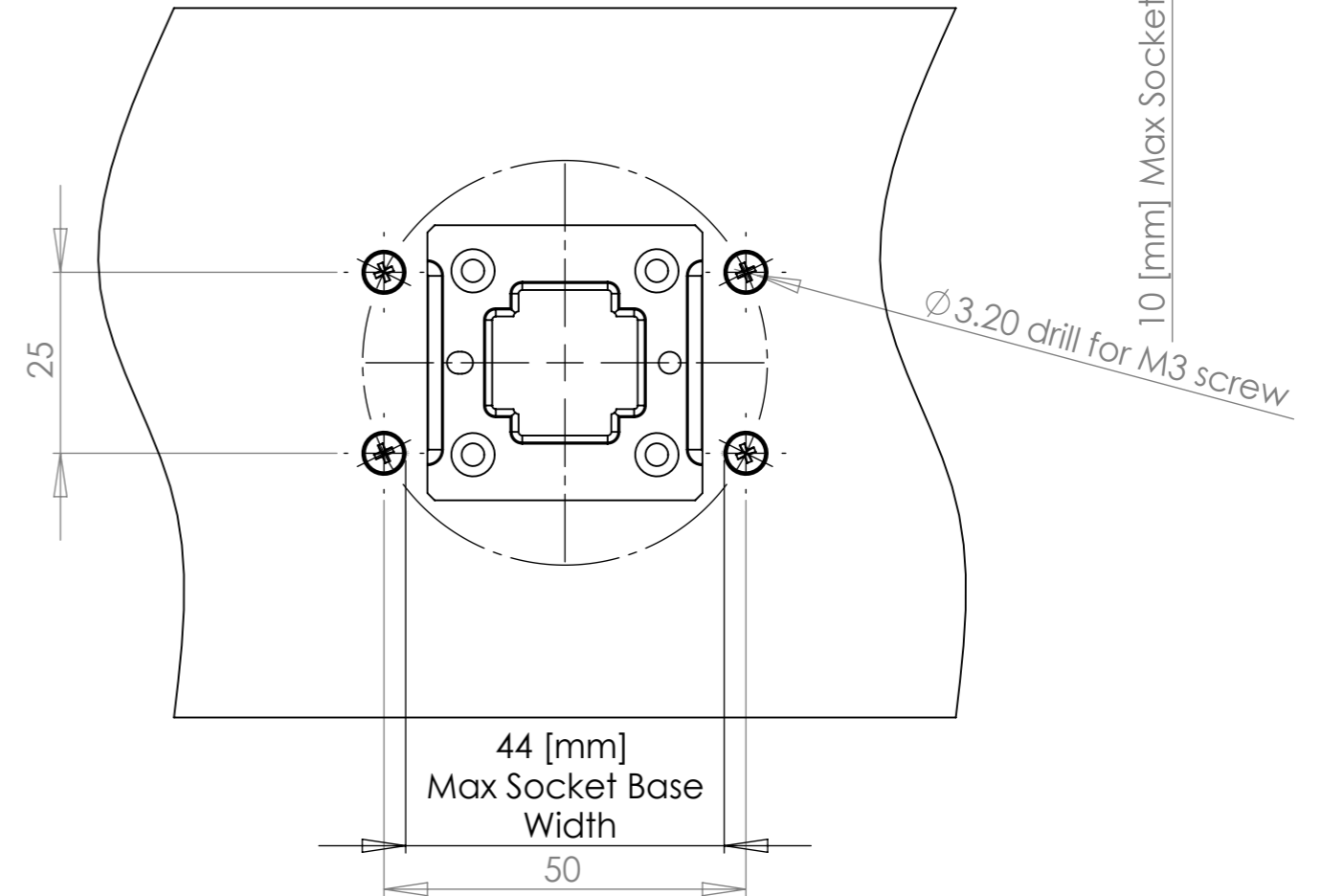
4 x  $\phi$  2.50  $\nabla$  8  
M3x0.5 - 6H  $\nabla$  0



Guide pins x2



M72X2



MATERIAL:		DIMENSIONS IN: mm		PROJECT NAME:	ASSEMBLY NAME:
DESIGNED:	NAME: Katia M. DATE: 21/06/2012	FINISH: See Notes			ASSEMBLY No:
DRAWN:	DATE: 21/06/2012	TOLERANCE UNLESS OTHERWISE SPECIFIED:		FRAME SCALE: 1:1	DWG. SIZE: A3
CHECKER:	CHECKED DATE	0-150 $\pm$ 0.1		PART NAME: Universal Adaptor plate typ 2	
APPROVED:	APPROVED DATE	150-400 $\pm$ 0.2		QTY.	
Copyright by Mechanical Devices. All rights reserved. This drawing contains confidential & proprietary information which the authorised recipient agrees to protect & not to disclose		$\nabla$ $\pm$ 0.5°		PROCESS TYPE:	
THERMAL TECHNOLOGIES ELECTRO-OPTICAL SYSTEMS		PART TYPE:		MDUAP485 typ-2	
MECHANICAL DEVICES				SHEET 1 OF 1	