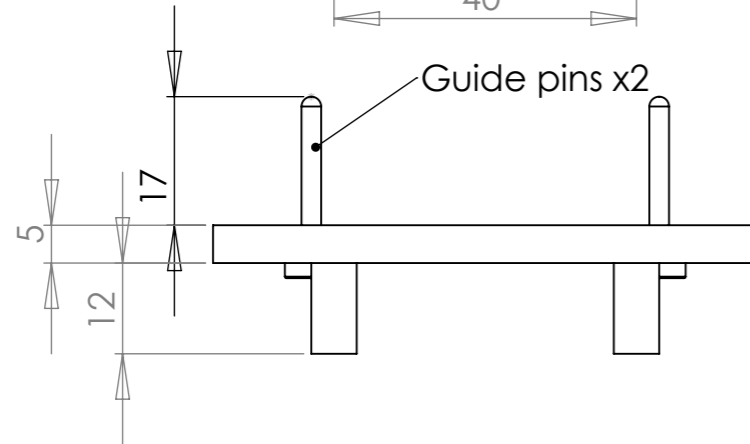
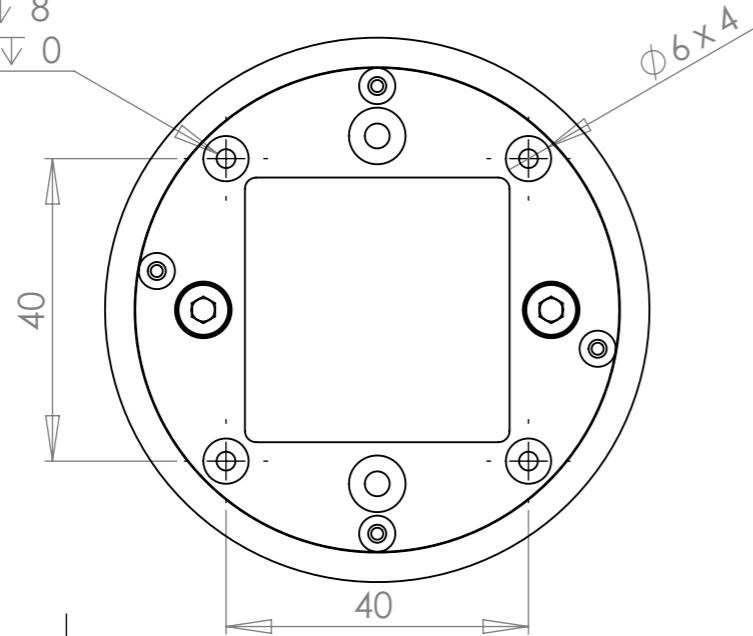
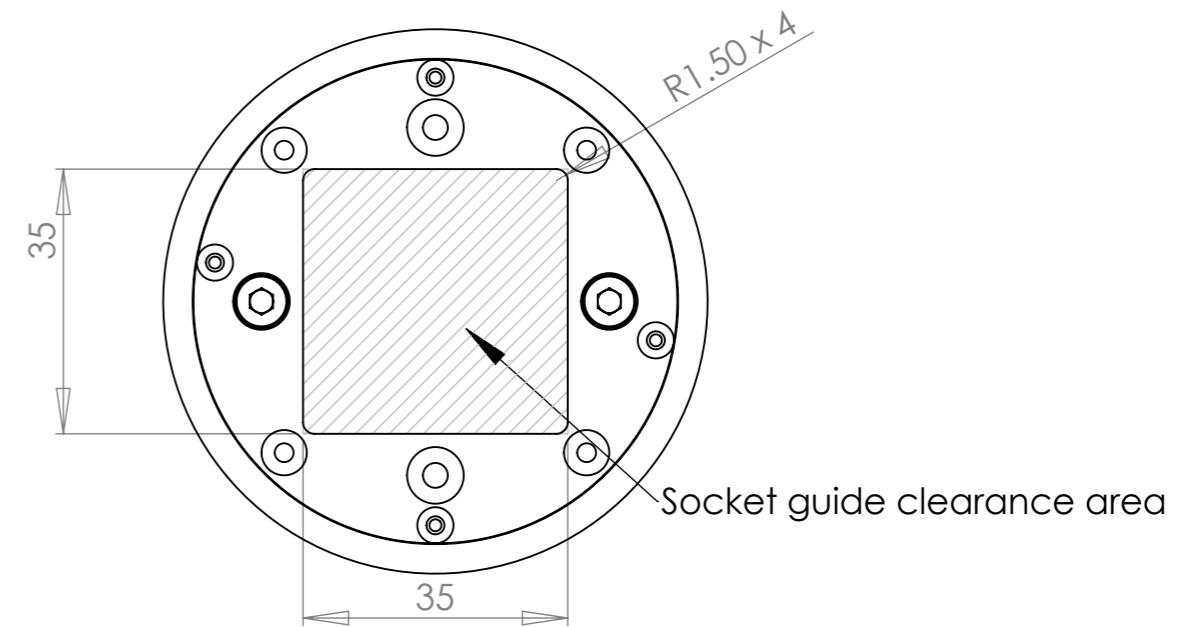
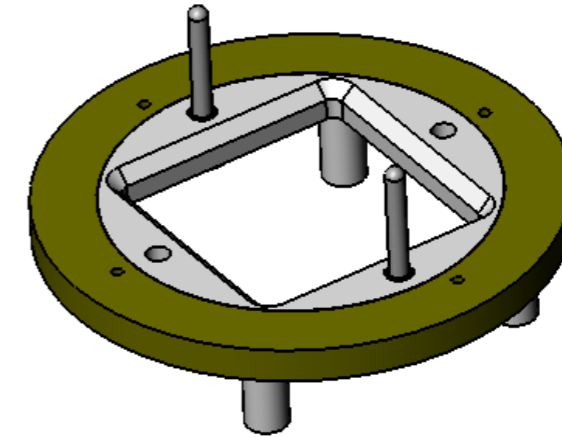
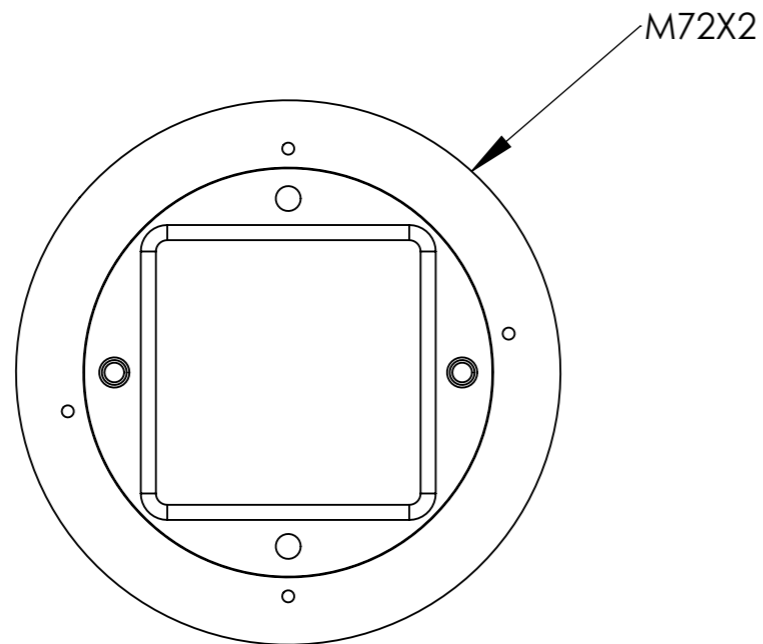


DESCRIPTION	APPROVED	DATE	REV.	CHANGE ORD
DESCRIPTION	APPROVED	DATE	REV.	ECO-NO
DESCRIPTION	APPROVED	DATE	REV.	ECO-NO

4 x ϕ 2.50 ∇ 8
M3x0.5 - 6H ∇ 0



Guide pins x2



MATERIAL:		DIMENSIONS IN: mm		PROJECT NAME:	ASSEMBLY NAME:
DESIGNED:	NAME	DATE	FINISH: See Notes	FRAME SCALE	DWG. SIZE
DRAWN:		29/01/2012			
CHECKER:	CHECKED	DATE	TOLERANCE UNLESS OTHERWISE SPECIFIED:	1:1	A3
APPROVED:	APPROVED	DATE			
Copyright by Mechanical Devices. All rights reserved. This drawing contains confidential & proprietary information which the authorised recipient agrees to protect & not to disclose			0-150	±0.1	QTY.
			150-400	±0.2	
				±0.5°	PART NAME:
			PROCESS TYPE:		
			PART TYPE:		
 THERMAL TECHNOLOGIES ELECTRO-OPTICAL SYSTEMS MECHANICAL DEVICES			Universal Adaptor plate		
SHEET 1 OF 1					REV.